

Deck Without Roof

(Cantilever)

Overall Dimensions _____ x _____

Railing:

- Req'd if floor is 30" or more off the ground
- Constructed so no opening will allow a 4" sphere to pass through.

Flooring:

Material: _____

Size (nominal): _____ x _____

Floor Joists:

Material: _____

Size (nominal): _____ x _____

Spacing Cen to Cen: _____

Clear Span Distance: _____

Carrier Beam:

Material: _____

Size (nominal): _____ - _____ x _____

Post Spacing: _____

Support Post:

Material: _____

Size (nominal): _____ x _____

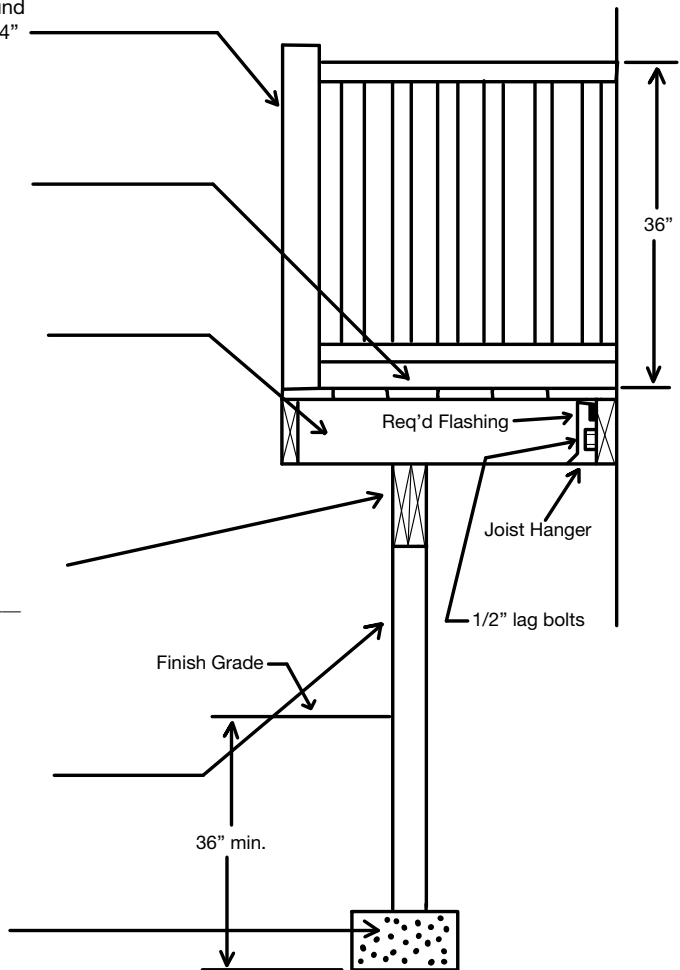
Post Length: _____

Footer:

Depth (below grade): _____

Size: _____ x _____

Thickness: _____ (6" Min.)



Height from grade to deck floor at highest point: _____"